

UR1+

Universal Radiography System



premier imaging solutions



SPECIFICATIONS

GENERATOR

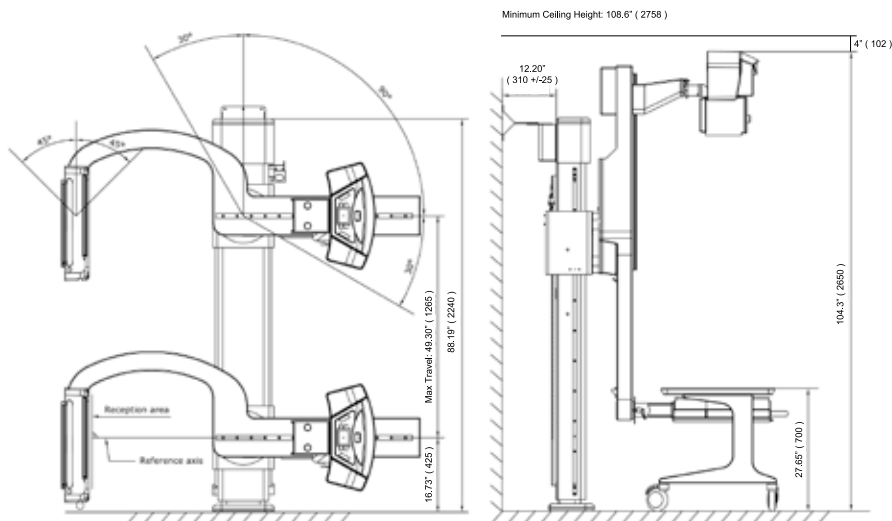
High Frequency	100kHz
Microprocessor Control	Yes (Standard)
Auto Diagnostic System	Yes (Standard)
Automatic Programming	Yes (Standard)
Power Output	32kW Through 80 kW
Single Phase	32kW Through 50kW
kVp Range	40-125, 150 kVp Standard on 50kW - 80kW
mA Range	10-800, Generator Specific
Time Range	1 ms - 10 Seconds
Rotor Control	Low Speed or High Speed
Automatic Exposure Control	Yes (Optional)

UNIVERSAL STAND

Motorized Movements	SID, Rotation, Elevation (Standard) - Motorized Bucky Rotation (Optional)
Arm Rotation	+ 120° /- 30°
Movement Speed	+ / - 45°
Maximum Distance (From Bucky)	Low Speed and High Speed Movement
Minimum Distance (From Bucky)	45.2" in (1150 mm)
Intermediate SID	Yes, Capable From Any Angle
Tube Rotation	360° with 45° Degree Detents
Safety Devices	Intelligent Anti-Collision Systems
X-Ray Tube	300, 400, or 600 kHu
Collimator	Manual Collimator with Concentrated Laser Light Line
Dimensions	104.3" H x 83" W x 66" D

DIMENSIONS

Unit: Inches (mm)



CANON CXDI-50 SERIES

14" X 17" DIGITAL DETECTOR



Models: CXDI-50G, CXDI-50C

CANON CXDI-40 SERIES

17" X 17" DIGITAL DETECTOR



Models: CXDI-40EG, CXDI-40EC

DR50 BUCKY

(OPTIONAL)



Ask your RadPro dealer about this system upgrade

Features:

- Left | Right Hand Versions
- Custom Removable Grid
- Short Vertical Distance
- Convenient Positioning



Specifications are subject to change without notice.

Names of companies or products appearing in this document are trademarks and/ or registered trademarks of their respective owners. Canon and CXDI are registered trademarks of Canon, Inc. in the United States and may also be registered trademarks or trademarks in other countries.

Virtual Imaging, Inc.
720 S. Powerline Rd, Suite E
Deerfield Beach, FL 33442
P 954.428.6191
F 954.428.6195

Visit us @:
www.virtualimaging-fl.com

RadPRO is a product division and registered trademark of Virtual Imaging, Inc.